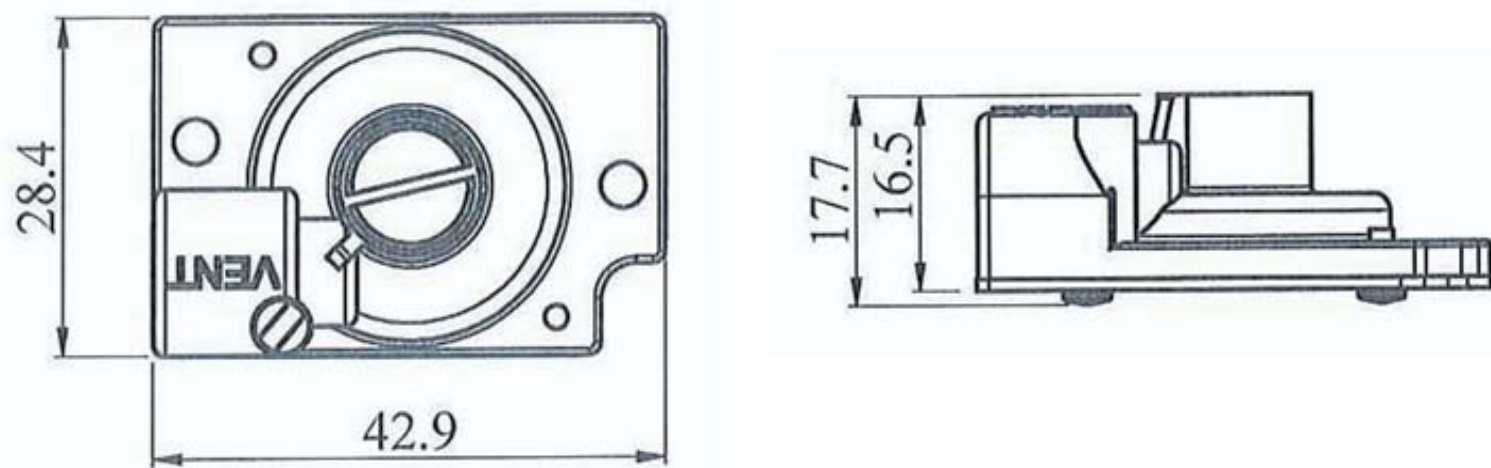


Data Sheet - GV5CK

Photo
照片



Dimension
尺寸



Model No. 型號	GV5CK-N01	GV5CK-N02	GV5CK-L01
Type of Gas 瓦斯類別	NAT 天然氣		LPG 液化氣
Type of Gas Pressure Conversion Kit 調壓蓋轉換套組類別	Propane to Natural Gas conversion kit (Can't adjust gas flow capacity) 液化氣轉換天然氣轉換套組(無法調整瓦斯流量)		Natural Gas to Propane conversion kit (Can't adjust gas flow capacity) 天然氣轉換液化氣轉換套組 (無法調整瓦斯流量)
Default Outlet Pressure Value 出廠預設出氣壓力值	3.5" w.c. (8.7 mbar)	4.0" w.c. (10 mbar)	10.0" w.c. (25mbar)
Contents in Gas Pressure Conversion Kit 調壓蓋轉換套組內容物	Gas Regulator Cartridge 瓦斯調壓蓋 x 1pc Gasket 密封墊片 x 1pc Screw 鎖付螺絲 x 2pcs Gas Type Identification Label 瓦斯類別辨識標籤貼紙 x 1pc		
Valve Model No. that can be converted 可轉換的閥體型號	GMV985A-00L-MDB GMV985A-00L-U10 GMV985A-00L-180 GMV985S-00L-R60 GMV985S-00L-B60 GMV970A-00L-P10 GMV970A-00L-SXC		GMV985A-00N-H04 GMV985A-00N-Y04 GMV985A-00N-180 GMV985S-00N-R60 GMV985S-00N-B60 GMV970A-00N-P04 GMV970A-00N-SXC
Ambient Working Temp. Range 應用工作溫度範圍	-10°F ~ 175°F (-23°C ~ 80°C)		
Max. Inlet Pressure Value 最大入氣壓	1/2 psi (14"w.c.)		